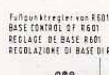
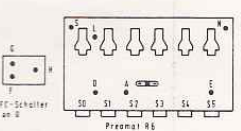


U1 mit Regler R57 auf 30V±100mV einstellen.
 U2 bei eingetretener Drehk. auf 2,7V±50mV
 mit Potentiometer-Widerstand von 800Ω einstellen.
 Die Reihenfolge der Spannungsinstellung
 ist unbedingt zu beachten.

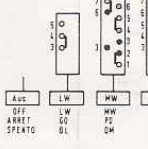
ADJUST U1 WITH CONTROL R57 TO 30V±100mV
 ADJUST U2 AT CLOSED VARICAP TO 2.7V±50mV
 WITH BASIC RESISTOR OF R 801.
 OBSERVE CORRECT SEQUENCE OF VOLTAGE
 ADJUSTMENTS.

RESER U1 SUR 30V±100mV A L'AIDE DU
 REGULATEUR R57
 RESER U2 SUR 2,7V±50mV A L'AIDE DE LA
 RESISTANCE DE BASE DE R801, LE CONDENSATEUR
 VARIABLE ETANT FERME.
 VEILLER A L'ORDRE CORRECT DES REGLES
 DE TENSION.

TARARE U1 CON IL REGOLATORE R57 SU 30V±100mV
 TARARE U2 CON LA RESISTENZA DI BASE R801
 PER 2,7V±50mV E CON VARIABLE INSCRITO
 LA SEQUENZA DELLE REGOLAZIONI DELLE
 TENSIONI VA OSSERVATA SCERPOLOAMENTE



set Stellungen 'Gepr.' aus
 SHOW IN 'OFF' POSITION
 MONTE EN POS. 'ARRET'
 COMMUTATEUR IN POS. 'SPENTO'



- Kontakt oben / CONTACT AT TOP / CONTACT EN HAUT / CONTATTI DA SOPRA
- Kontakt unten / CONTACT AT BOTTOM / CONTACT EN BAS / CONTATTI DA SOTTO
- Kontakt oben u unten / CONTACT AT TOP AND BOTTOM / CONTACT EN HAUT ET EN BAS / CONTATTI SOPRA E SOTTO

Ansicht von oben
 TOP VIEW
 VUE DE DESSUS
 VISTA DA SOPRA

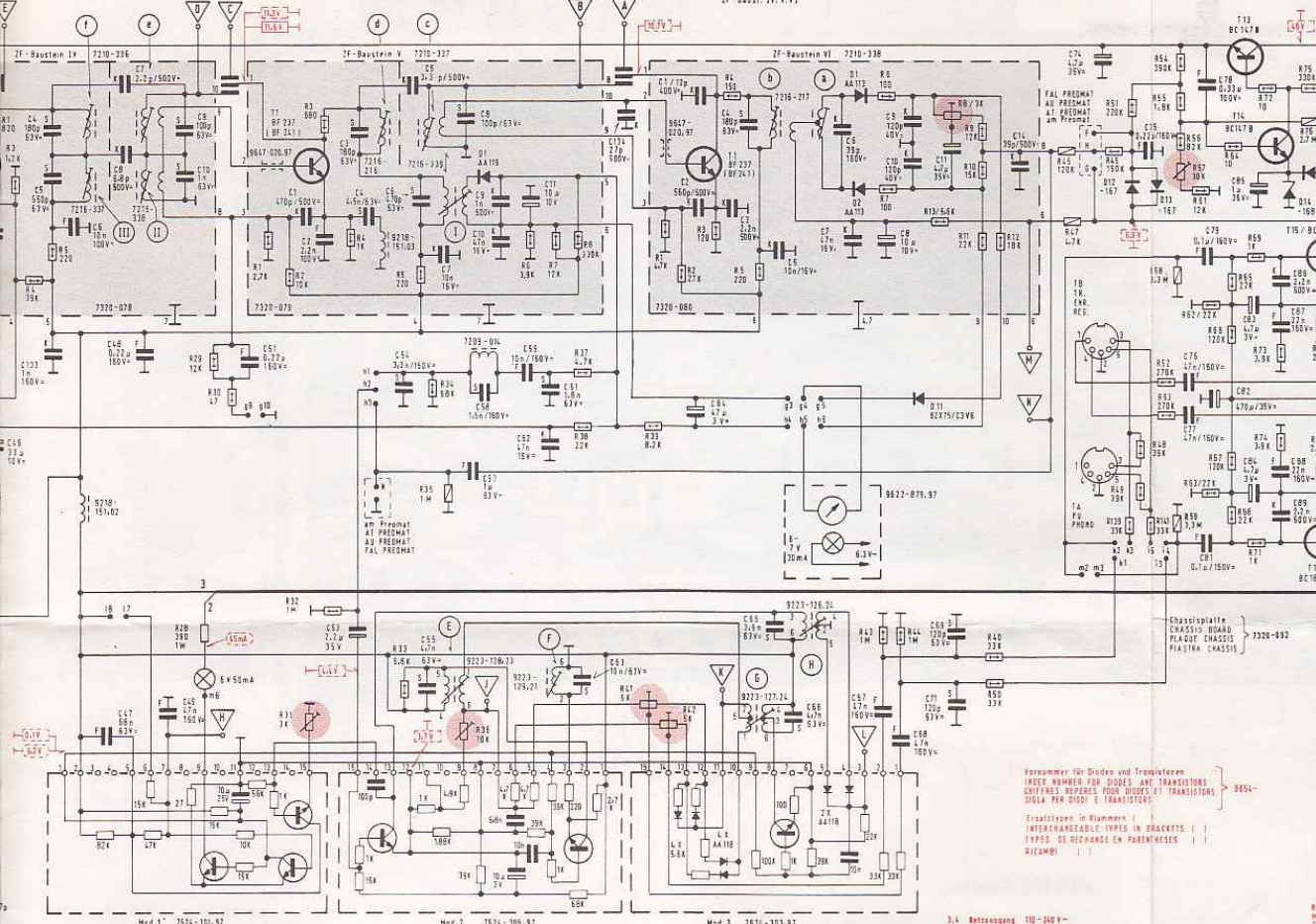
Ferritkern
 FERRITE AERIAL
 ANTENNE FERRITE
 ANTENNE FERRITE

Wellenbereiche
 WAVE BANDS
 GAMME D'ONDES
 GAMME D'ONDE

UW - FH	87,5	100	MHz
MW - PG - DM	510	1620	VHz
KW - SW - DC	5,4	16,2	MHz
LW - SB - O1	115	350	KHz

C	11, 12, 13, 14, 15, 301, 302, 303, 304, 305, 306, 307, 16, 308, 309, 310, 311, 312, 313, 314, 315, 316, 317, 318, 319, 320, 321, 322, 323, 324, 325, 326, 327, 328, 329, 330, 331, 332, 333, 334, 335, 336, 337, 338, 339, 340, 341, 342, 343, 344, 345, 346, 347, 348, 349, 350, 351, 352, 353, 354, 355, 356, 357, 358, 359, 360, 361, 362, 363, 364, 365, 366, 367, 368, 369, 370, 371, 372, 373, 374, 375, 376, 377, 378, 379, 380, 381, 382, 383, 384, 385, 386, 387, 388, 389, 390, 391, 392, 393, 394, 395, 396, 397, 398, 399, 400, 401, 402, 403, 404, 405, 406, 407, 408, 409, 410, 411, 412, 413, 414, 415, 416, 417, 418, 419, 420, 421, 422, 423, 424, 425, 426, 427, 428, 429, 430, 431, 432, 433, 434, 435, 436, 437, 438, 439, 440, 441, 442, 443, 444, 445, 446, 447, 448, 449, 450, 451, 452, 453, 454, 455, 456, 457, 458, 459, 460, 461, 462, 463, 464, 465, 466, 467, 468, 469, 470, 471, 472, 473, 474, 475, 476, 477, 478, 479, 480, 481, 482, 483, 484, 485, 486, 487, 488, 489, 490, 491, 492, 493, 494, 495, 496, 497, 498, 499, 500, 501, 502, 503, 504, 505, 506, 507, 508, 509, 510, 511, 512, 513, 514, 515, 516, 517, 518, 519, 520, 521, 522, 523, 524, 525, 526, 527, 528, 529, 530, 531, 532, 533, 534, 535, 536, 537, 538, 539, 540, 541, 542, 543, 544, 545, 546, 547, 548, 549, 550, 551, 552, 553, 554, 555, 556, 557, 558, 559, 560, 561, 562, 563, 564, 565, 566, 567, 568, 569, 570, 571, 572, 573, 574, 575, 576, 577, 578, 579, 580, 581, 582, 583, 584, 585, 586, 587, 588, 589, 590, 591, 592, 593, 594, 595, 596, 597, 598, 599, 600, 601, 602, 603, 604, 605, 606, 607, 608, 609, 610, 611, 612, 613, 614, 615, 616, 617, 618, 619, 620, 621, 622, 623, 624, 625, 626, 627, 628, 629, 630, 631, 632, 633, 634, 635, 636, 637, 638, 639, 640, 641, 642, 643, 644, 645, 646, 647, 648, 649, 650, 651, 652, 653, 654, 655, 656, 657, 658, 659, 660, 661, 662, 663, 664, 665, 666, 667, 668, 669, 670, 671, 672, 673, 674, 675, 676, 677, 678, 679, 680, 681, 682, 683, 684, 685, 686, 687, 688, 689, 690, 691, 692, 693, 694, 695, 696, 697, 698, 699, 700, 701, 702, 703, 704, 705, 706, 707, 708, 709, 710, 711, 712, 713, 714, 715, 716, 717, 718, 719, 720, 721, 722, 723, 724, 725, 726, 727, 728, 729, 730, 731, 732, 733, 734, 735, 736, 737, 738, 739, 740, 741, 742, 743, 744, 745, 746, 747, 748, 749, 750, 751, 752, 753, 754, 755, 756, 757, 758, 759, 760, 761, 762, 763, 764, 765, 766, 767, 768, 769, 770, 771, 772, 773, 774, 775, 776, 777, 778, 779, 780, 781, 782, 783, 784, 785, 786, 787, 788, 789, 790, 791, 792, 793, 794, 795, 796, 797, 798, 799, 800, 801, 802, 803, 804, 805, 806, 807, 808, 809, 810, 811, 812, 813, 814, 815, 816, 817, 818, 819, 820, 821, 822, 823, 824, 825, 826, 827, 828, 829, 830, 831, 832, 833, 834, 835, 836, 837, 838, 839, 840, 841, 842, 843, 844, 845, 846, 847, 848, 849, 850, 851, 852, 853, 854, 855, 856, 857, 858, 859, 860, 861, 862, 863, 864, 865, 866, 867, 868, 869, 870, 871, 872, 873, 874, 875, 876, 877, 878, 879, 880, 881, 882, 883, 884, 885, 886, 887, 888, 889, 890, 891, 892, 893, 894, 895, 896, 897, 898, 899, 900, 901, 902, 903, 904, 905, 906, 907, 908, 909, 910, 911, 912, 913, 914, 915, 916, 917, 918, 919, 920, 921, 922, 923, 924, 925, 926, 927, 928, 929, 930, 931, 932, 933, 934, 935, 936, 937, 938, 939, 940, 941, 942, 943, 944, 945, 946, 947, 948, 949, 950, 951, 952, 953, 954, 955, 956, 957, 958, 959, 960, 961, 962, 963, 964, 965, 966, 967, 968, 969, 970, 971, 972, 973, 974, 975, 976, 977, 978, 979, 980, 981, 982, 983, 984, 985, 986, 987, 988, 989, 990, 991, 992, 993, 994, 995, 996, 997, 998, 999, 1000
R	11, 12, 13, 14, 15, 301, 302, 303, 304, 305, 306, 307, 16, 308, 309, 310, 311, 312, 313, 314, 315, 316, 317, 318, 319, 320, 321, 322, 323, 324, 325, 326, 327, 328, 329, 330, 331, 332, 333, 334, 335, 336, 337, 338, 339, 340, 341, 342, 343, 344, 345, 346, 347, 348, 349, 350, 351, 352, 353, 354, 355, 356, 357, 358, 359, 360, 361, 362, 363, 364, 365, 366, 367, 368, 369, 370, 371, 372, 373, 374, 375, 376, 377, 378, 379, 380, 381, 382, 383, 384, 385, 386, 387, 388, 389, 390, 391, 392, 393, 394, 395, 396, 397, 398, 399, 400, 401, 402, 403, 404, 405, 406, 407, 408, 409, 410, 411, 412, 413, 414, 415, 416, 417, 418, 419, 420, 421, 422, 423, 424, 425, 426, 427, 428, 429, 430, 431, 432, 433, 434, 435, 436, 437, 438, 439, 440, 441, 442, 443, 444, 445, 446, 447, 448, 449, 450, 451, 452, 453, 454, 455, 456, 457, 458, 459, 460, 461, 462, 463, 464, 465, 466, 467, 468, 469, 470, 471, 472, 473, 474, 475, 476, 477, 478, 479, 480, 481, 482, 483, 484, 485, 486, 487, 488, 489, 490, 491, 492, 493, 494, 495, 496, 497, 498, 499, 500, 501, 502, 503, 504, 505, 506, 507, 508, 509, 510, 511, 512, 513, 514, 515, 516, 517, 518, 519, 520, 521, 522, 523, 524, 525, 526, 527, 528, 529, 530, 531, 532, 533, 534, 535, 536, 537, 538, 539, 540, 541, 542, 543, 544, 545, 546, 547, 548, 549, 550, 551, 552, 553, 554, 555, 556, 557, 558, 559, 560, 561, 562, 563, 564, 565, 566, 567, 568, 569, 570, 571, 572, 573, 574, 575, 576, 577, 578, 579, 580, 581, 582, 583, 584, 585, 586, 587, 588, 589, 590, 591, 592, 593, 594, 595, 596, 597, 598, 599, 600, 601, 602, 603, 604, 605, 606, 607, 608, 609, 610, 611, 612, 613, 614, 615, 616, 617, 618, 619, 620, 621, 622, 623, 624, 625, 626, 627, 628, 629, 630, 631, 632, 633, 634, 635, 636, 637, 638, 639, 640, 641, 642, 643, 644, 645, 646, 647, 648, 649, 650, 651, 652, 653, 654, 655, 656, 657, 658, 659, 660, 661, 662, 663, 664, 665, 666, 667, 668, 669, 670, 671, 672, 673, 674, 675, 676, 677, 678, 679, 680, 681, 682, 683, 684, 685, 686, 687, 688, 689, 690, 691, 692, 693, 694, 695, 696, 697, 698, 699, 700, 701, 702, 703, 704, 705, 706, 707, 708, 709, 710, 711, 712, 713, 714, 715, 716, 717, 718, 719, 720, 721, 722, 723, 724, 725, 726, 727, 728, 729, 730, 731, 732, 733, 734, 735, 736, 737, 738, 739, 740, 741, 742, 743, 744, 745, 746, 747, 748, 749, 750, 751, 752, 753, 754, 755, 756, 757, 758, 759, 760, 761, 762, 763, 764, 765, 766, 767, 768, 769, 770, 771, 772, 773, 774, 775, 776, 777, 778, 779, 780, 781, 782, 783, 784, 785, 786, 787, 788, 789, 790, 791, 792, 793, 794, 795, 796, 797, 798, 799, 800, 801, 802, 803, 804, 805, 806, 807, 808, 809, 810, 811, 812, 813, 814, 815, 816, 817, 818, 819, 820, 821, 822, 823, 824, 825, 826, 827, 828, 829, 830, 831, 832, 833, 834, 835, 836, 837, 838, 839, 840, 841, 842, 843, 844, 845, 846, 847, 848, 849, 850, 851, 852, 853, 854, 855, 856, 857, 858, 859, 860, 861, 862, 863, 864, 865, 866, 867, 868, 869, 870, 871, 872, 873, 874, 875, 876, 877, 878, 879, 880, 881, 882, 883, 884, 885, 886, 887, 888, 889, 890, 891, 892, 893, 894, 895, 896, 897, 898, 899, 900, 901, 902, 903, 904, 905, 906, 907, 908, 909, 910, 911, 912, 913, 914, 915, 916, 917, 918, 919, 920, 921, 922, 923, 924, 925, 926, 927, 928, 929, 930, 931, 932, 933, 934, 935, 936, 937, 938, 939, 940, 941, 942, 943, 944, 945, 946, 947, 948, 949, 950, 951, 952, 953, 954, 955, 956, 957, 958, 959, 960, 961, 962, 963, 964, 965, 966, 967, 968, 969, 970, 971, 972, 973, 974, 975, 976, 977, 978, 979, 980, 981, 982, 983, 984, 985, 986, 987, 988, 989, 990, 991, 992, 993, 994, 995, 996, 997, 998, 999, 1000

Rohtent
 2471St



Spennungen mit Grundig-Höhrenvoltmeter, Ströme mit Multitav 5 bei 220V-Netzspannung ohne Signal gemessen.
 VOLTAGE MEASURED WITH GRUNDIG VVM, CURRENTS WITH MULTITAV 5 AT 220V AC LINE VOLTAGE, MEASURED WITHOUT SIGNAL.
 TENSION MESURÉE AVEC GRUNDIG VOLTMÈTRE ÉLECTRONIQUE, LES COURANTS AVEC MULTITAV 5 à 220V - TENSION ALTERNATIVE, LA TENSION DE RESEAU MESURÉE SANS SIGNAL.
 LE TENSIONI SONO MISURATE CON VOLTMETRO ELETTRONICO GRUNDIG, LE TENSIONI CON MULTITAV 5 A 220V - LA TENSIONE VA MISURATA SENZA SEGNALE.



Vorsumme für Dioden und Transistoren
 INDEX NUMBER FOR DIODES AND TRANSISTORS
 CHIFFRES REPÈRES POUR DIODES ET TRANSISTORS
 SIGLA PER DIODE E TRANSISTORI
 Interchangeable types in brackets
 TYPES DE RECHANGE EN PARENTHESES
 RICAMBI

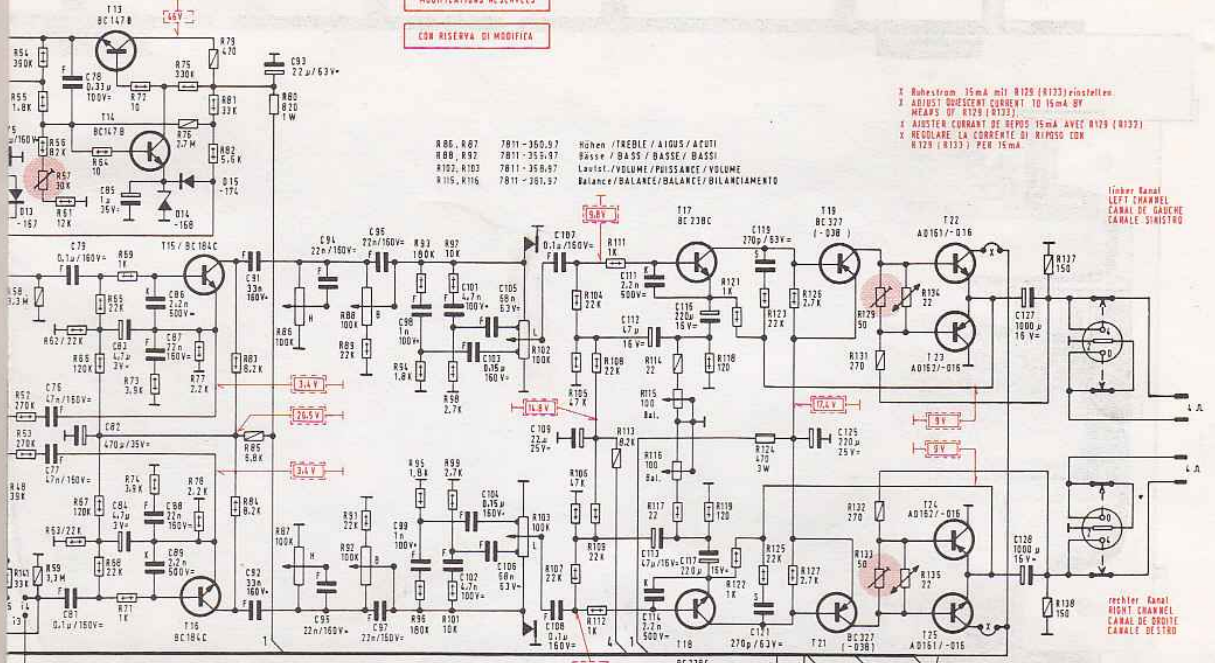
3.4 Netzspannung 110-240 V -
 MAINS SUPPLY 110-240V -
 CORRE: UCCETTA 110-240V -
 USCITA CORSOLE DI RETE 110-240 V -

5.5 110V-Anschluss für magnet. Plattenwechsel
 110V AC CONNECTOR FOR 300-TR RECORD CHANGER
 CONNESSION 110V - POUR CHANGEN DE DISQUE MAGNETIQUE
 COLLEGAMENTO 110V - PER CAMBIARE/INCORPORARE

133,	47,	48,	49,	51,	53,	54,	55,	57,	58,	59,	61,	62,	63,	134,	64,	65,	66,	67,	68,	69,	71,	74,	75,	76,	78,	82,	85,	86,	87,	88,	89,					
	28,	29,	30,	31,	32,	33,	34,	35,	36,	37,	38,	39,	40,	41,	42,								43,	44,	45,	46,	135,	48,	52,	57,	61A/64,	67,	69,	72,	75,	77,



Änderungen vorbehalten
 ALTERATIONS RESERVED
 MODIFICATIONS RESERVEES
 CON RISERVA DI MODIFICA



R86, R87 7811-350,97 Höhen / TREBLE / ALTOUS / ACUTI
 R88, R89 7811-351,97 Bässe / BASS / BASSE / BASSI
 R102, R103 7811-350,97 Lautst. / VOLUME / PUISSANCE / VOLUME
 R105, R106 7811-350,97 Balance / BALANCE / BALANCE / BILANCIAMENTO

I Ruhestrom 15mA mit R125 (R133) einstellen
 I ADJUST REST-CURRENT TO 15mA BY
 ADJUSTING R125 (R133)
 X AJUSTER COURANT DE REPOS 15mA AVEC R125 (R133)
 X REGOLARE LA CORRENTE DI RIPOSO CON
 R125 (R133) PER 15mA

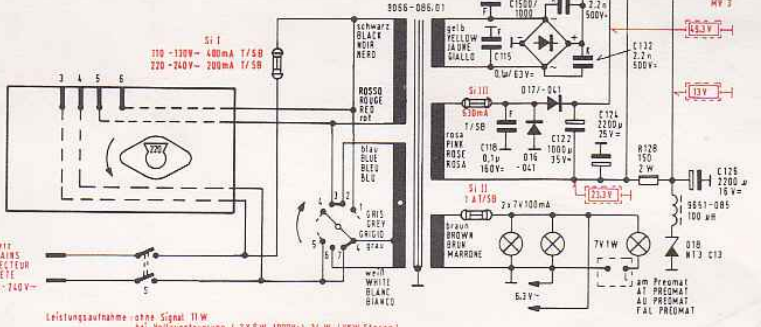
linker Kanal
 LEFT CHANNEL
 CANALE SINISTRO

rechter Kanal
 RIGHT CHANNEL
 CANALE DESTRO

Chassisplatte
 CHASSIS BOARD
 PIASTRINA CHASSIS } 7330-092

Transistoren
 TRANSISTORS } 86SL-
 Halbleiter
 SEMICONDUCTORS } 86SL-

- Glühbirne
- ELKO
- Styrolites Kondensator
- Keramik Kondensator
- Folien Kondensator
- 1/8 W
- 1/3 W
- 1/2 W
- Drahtwiderstand



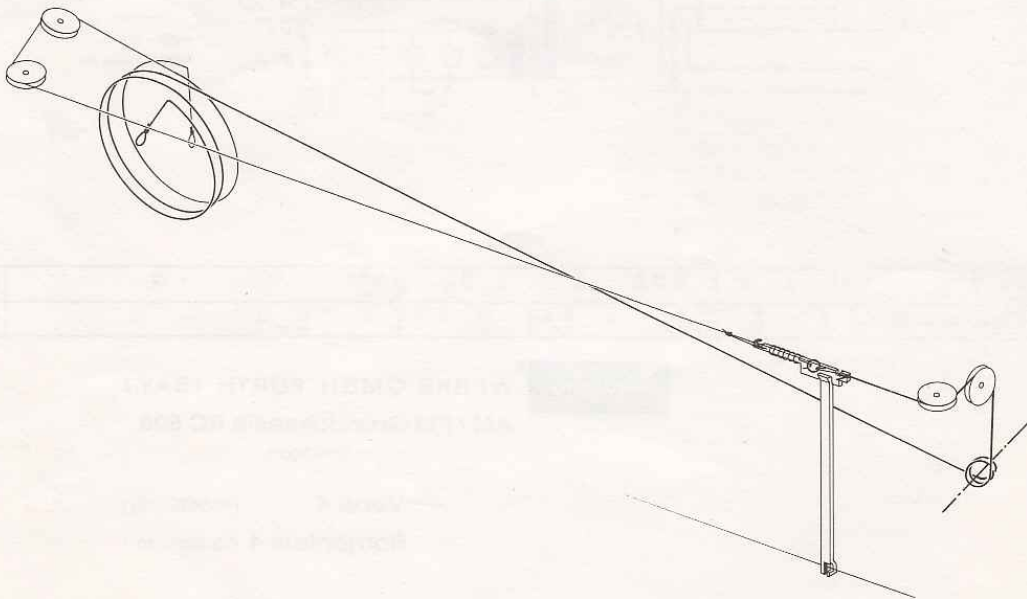
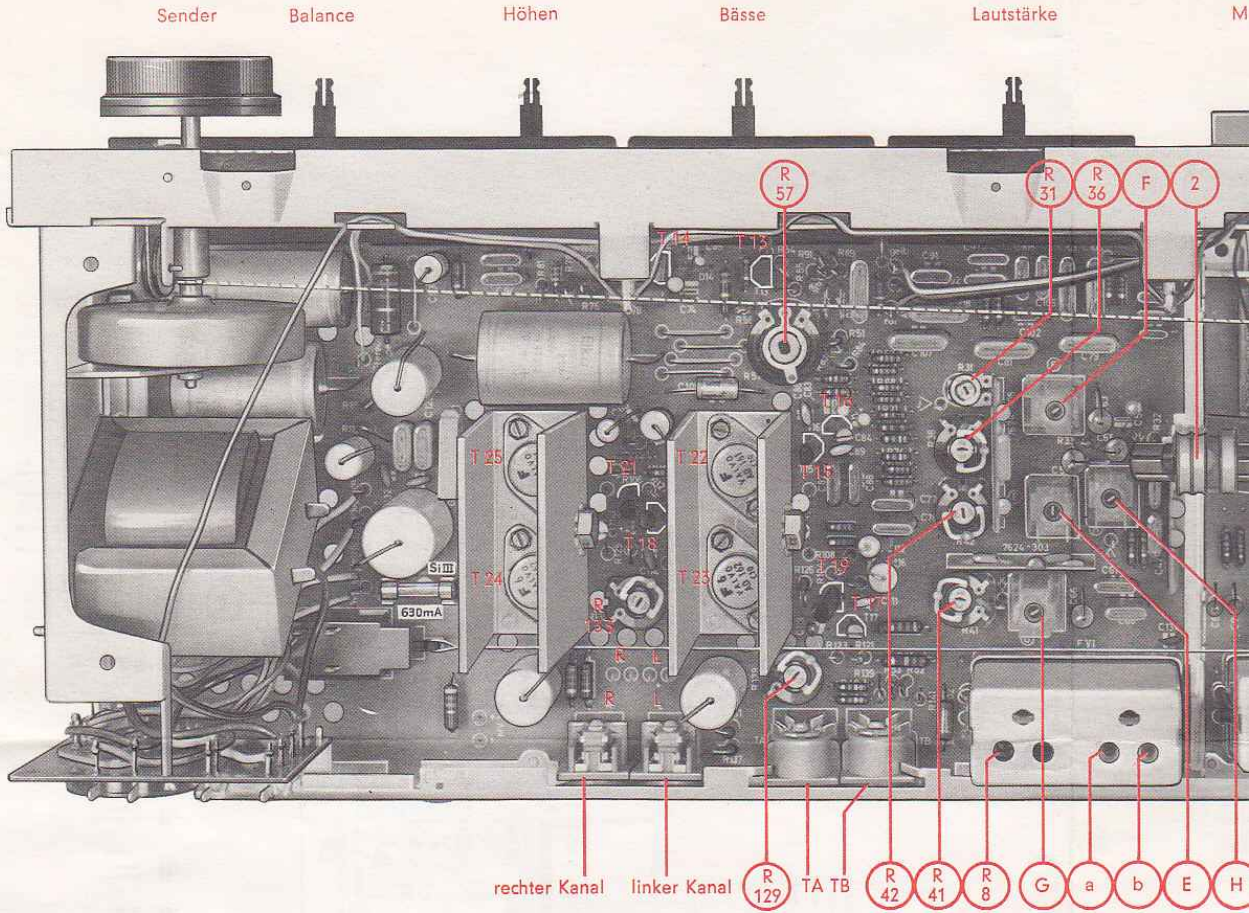
Leistungsaufnahme ohne Signal 11W
 94 Voltassunzione (2x6W, 1000Hz) 34 W (pwr-STEREO)
 POWER CONSUMPTION APPROX 11W WITHOUT SIGNAL AT MAXIMUM
 LEVEL (2x6W, 1000Hz) 34W (FM-STEREO)
 CONSUMAZIONE ENV: 11W SENZA SEGNALE A MODULAZIONE MASSIMALE
 (2x6W, 1000Hz) 34 W (FM-STEREO)
 DISSIPAZIONE SENZA SEGNALE 11W A MASSIMO PILOTAGGIO
 (2x6W, 1000Hz) 34 W (FM-STEREO)

76, 78, 82, 77, 79, 81	83, 85, 86, 84, 87, 88, 85	91, 93, 92	94, 95	96, 97	101, 103, 102, 104, 105	106, 109, 108	111, 115, 115, 112, 120, 117, 113, 114, 116	119, 121, 123, 122, 122	126, 126, 127	C
52, 54, 57, 51, 53, 54, 67, 69, 72, 53, 55, 56, 62, 65, 68, 71, 73, 56, 58	75, 77, 79, 76, 78, 81, 80	83, 85, 84, 87, 88, 85	86, 88, 89	89, 91, 92, 92	93, 97, 94, 98, 95, 96, 99, 101	102, 104, 106, 111, 103, 105, 109, 112, 106, 107, 103	114, 118, 121, 123, 115, 119, 122, 124, 116, 117, 125	128, 129, 128, 129, 131, 135, 132, 132	137, 138	R

GRUNDIG WERKE GMBH FURTH (BAY.)
 AM / FM Grundchassis RC 500
 (19-8075-2001)

Verdi 4 (12-2435-1101)
 Rothenfels 4 (12-2437-1107)

Abgleich-Lageplan
ALIGNMENT SCHEME
PLAN DE REGLAGE
PIANO DI TARATURA



AM-FM-Seil

Textilseil ca. 10
 Stahlseil ca. 68
 (Drehko einged.)

AM-FM-DRIVE

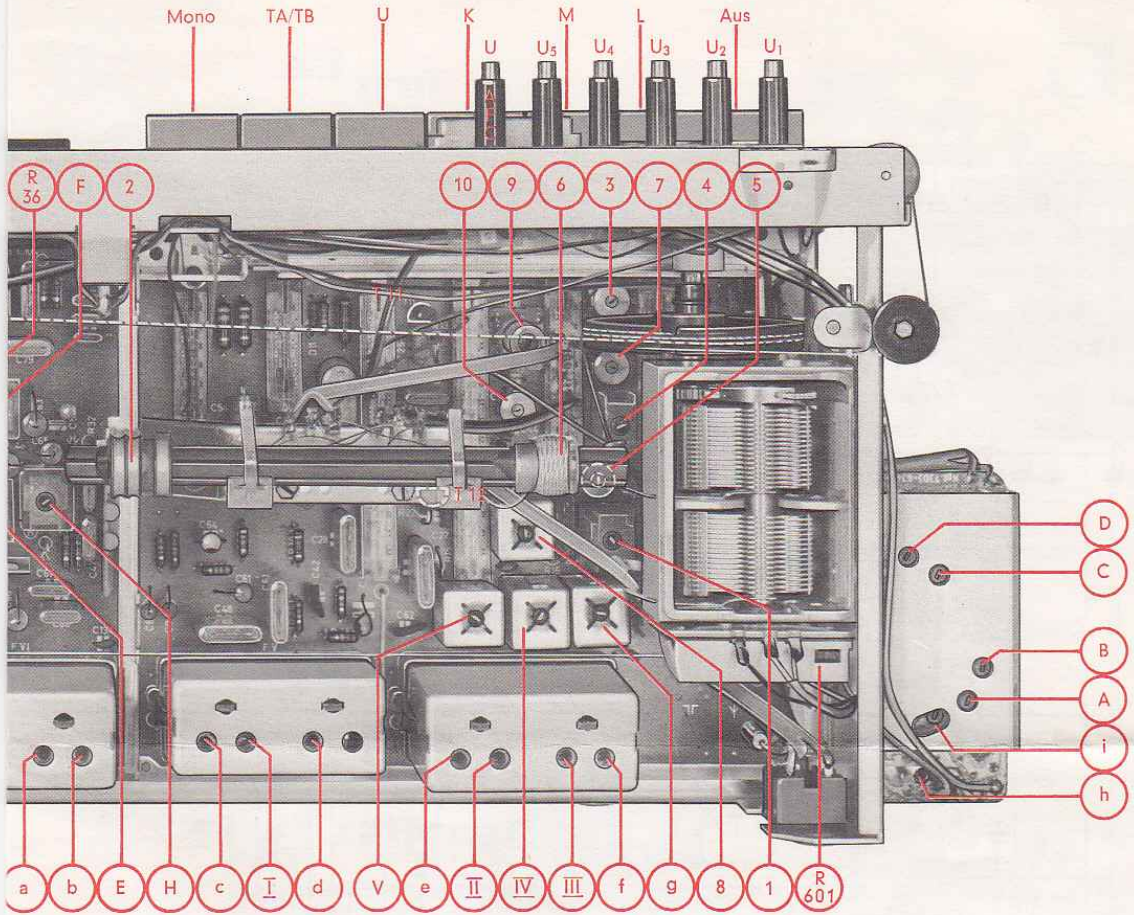
Textile Cord, a
 Steel Cord, ap
 (variable capac)

ENTRAINEMENT

Cable textile, e
 Cable acier, er
 (condensateur

TRASMISSIONE

Funicella in ma
 Funicella in acc
 (condensatore



AM-FM-Seilzug

Textilseil ca. 1000 mm lang

Stahlseil ca. 680 mm lang

(Drehko eingedreht)

AM-FM-DRIVE CORD

Textile Cord, approx 1000 mm long

Steel Cord, approx 680 mm long

(variable capacitor closed)

ENTRAINEMENT AM-FM

Cable textile, env. 1000 mm de longueur

Cable acier, env. 680 mm de longueur

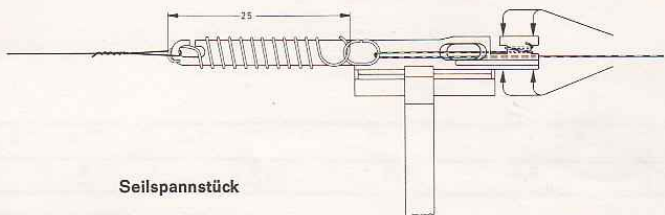
(condensateur variable fermé)

TRASMISSIONE AM-FM

Funicella in materiale tessile lunga circa 1000 mm

Funicella in acciaio lunga circa 680 mm

(condensatore variabile chiuso)

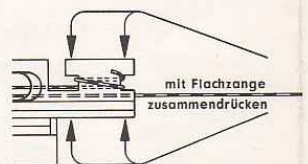


Seilspannstück

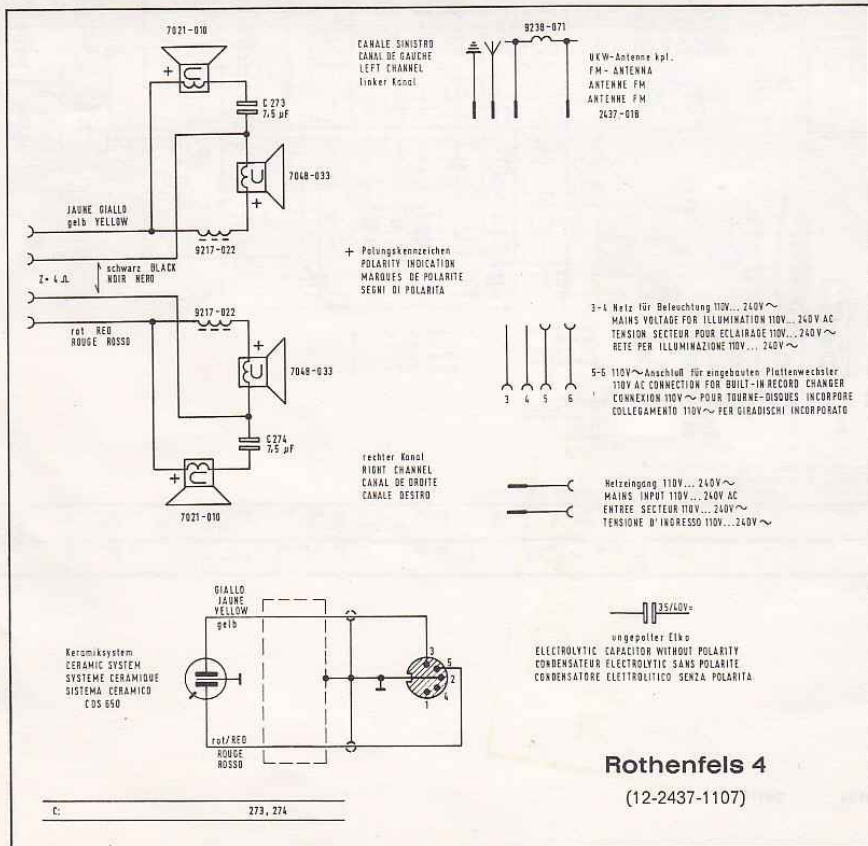
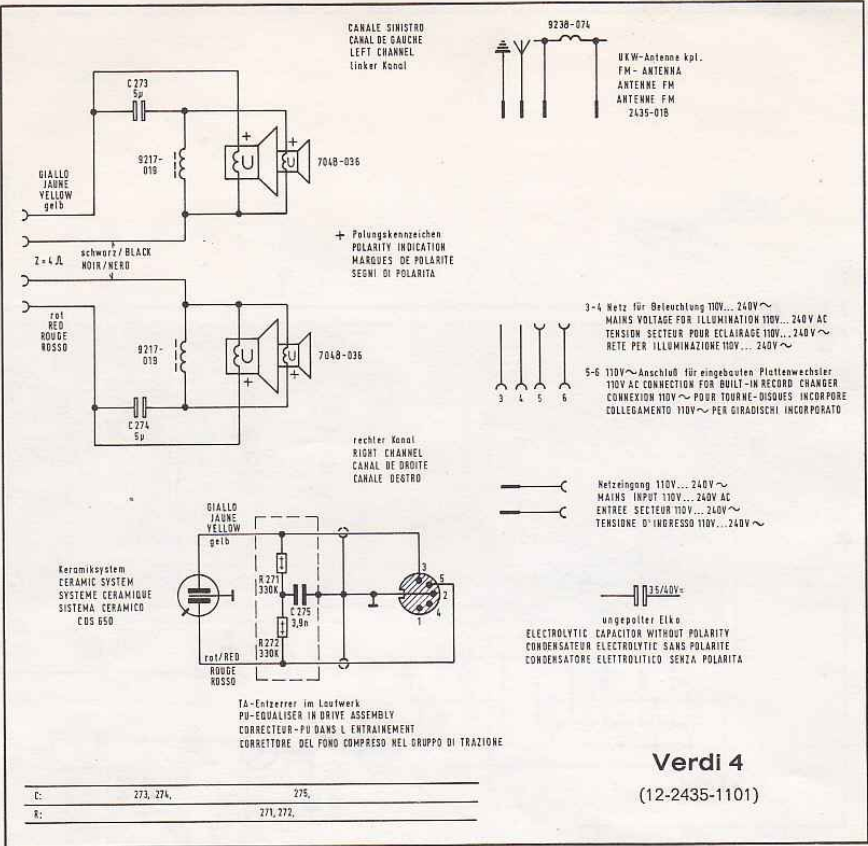
ROPE WINDER

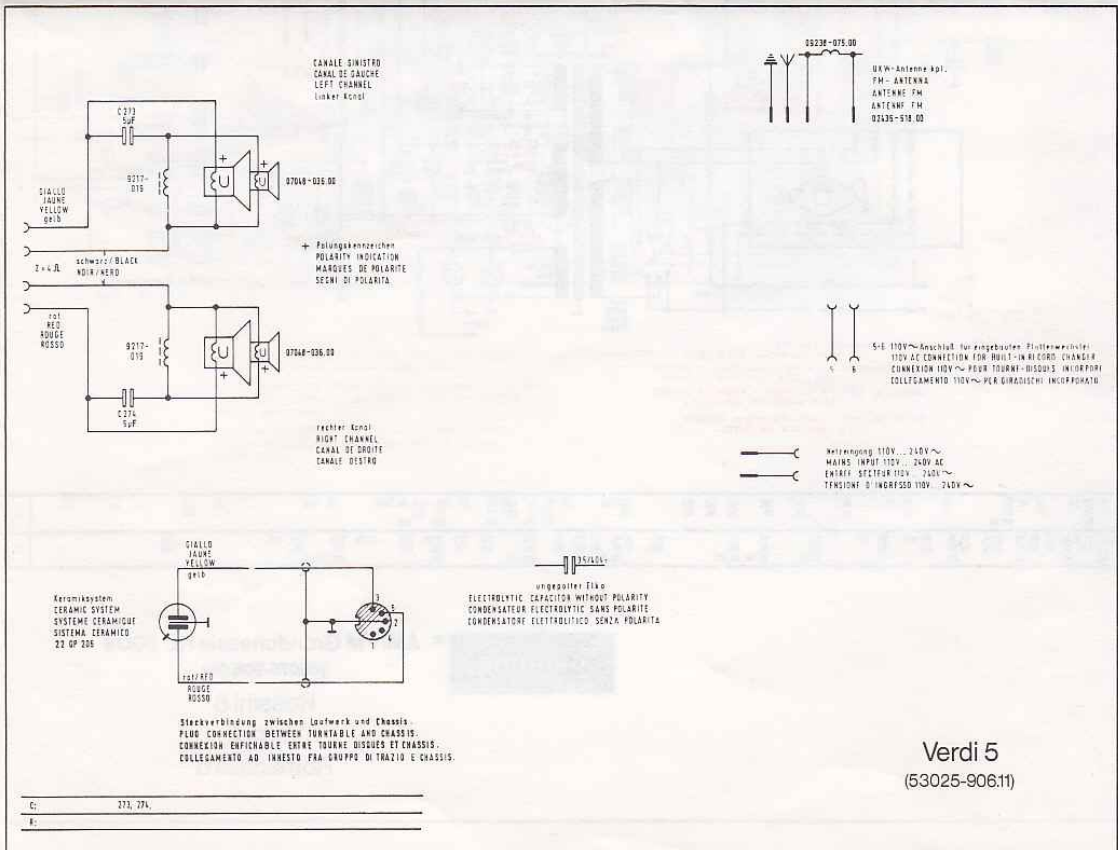
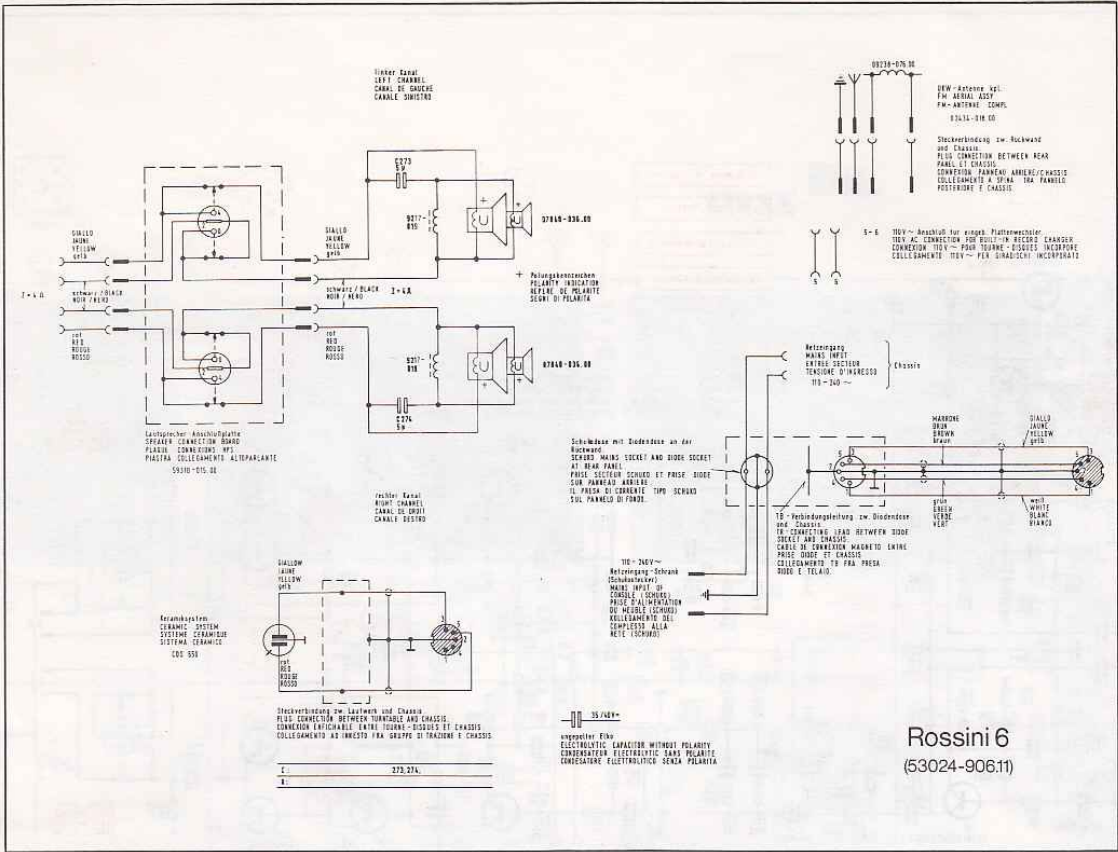
ENROULEUR DE CABLE

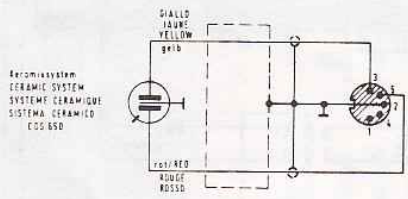
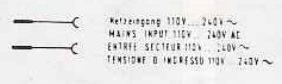
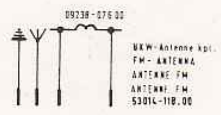
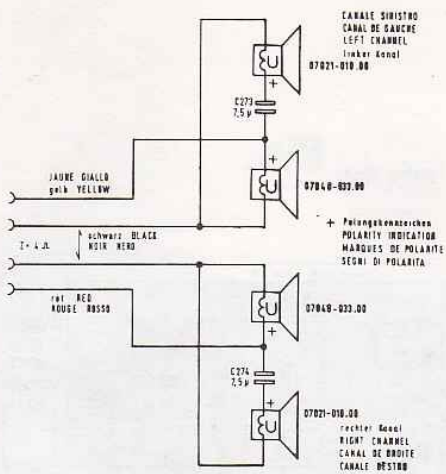
PEZZO DI TENDITURA PER FUNE



mit Flachzange
zusammendrücken







Steckverbindung zwischen Laufwerk und Chassis
 PLUG CONNECTION BETWEEN TURNTABLE AND CHASSIS
 CONNESSION DIFFICILE ENTRE TOURNE-DISQUES ET CHASSIS
 COLLEGAMENTO AD INNESTO FRA GRUPPI DI TRAZIONE E CHASSIS

Rothenfels 6
 (53028-906.01)

